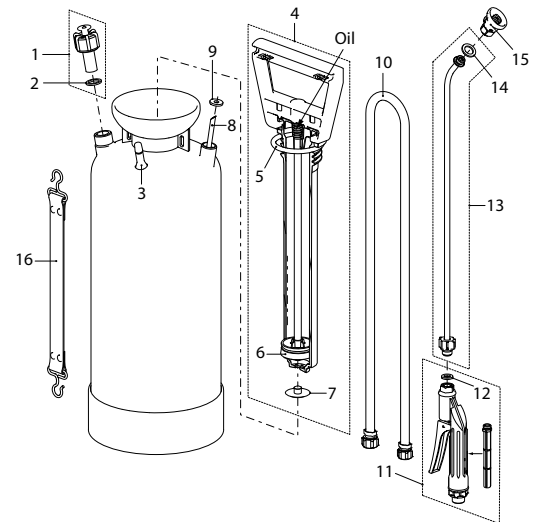




Clean-Matic 5 P



Clean-Matic 5 E

max.  
4 bar

G 1/4"



1

max.  
4 bar

G 1/4"



1



Clean-Matic 5 P, compression sprayer with fanjet nozzle (Acids)	11664901	121314
Clean-Matic 5 E, compression sprayer with fanjet nozzle (Alkalies)	11907401	121352
<b>Accessories (Pictures see page 43 ff)</b>		
Two hand grip	11887301	040578
Closing cap made of plastic (inst. of hand pump)	11629502	100869
Adjustable nozzle with G1/4", thread dia. 1.3 mm brass nickel	11926801	113685
Foam nozzle G1/4"	11688701	040561
Spray tube 1 m, stainless steel, G1/4"e-G1/4"e	11669802	110578
CF valve (constant flow) 2.0 bar (also available as 1.0 bar; 1.45 bar)	11698401-SB	040707
Fanjet nozzle XR 8002 VS	50142022	110332
<b>No</b> Gasket set Clean-Matic 5 P consisting of:	10399003-SB	700809
<b>No</b> Gasket set Clean-Matic 5 E consisting of:	11909801	110585
2 Gasket 21x15.4x2		
5 O-Ring 50.16x5.34		
6 Sleeve		
7 Pump gasket		
9 Gasket 15x5.5x2		
12 Gasket 11.9x7x1.5		
14 Gasket 17x11x1.5		
<b>Gasket set</b> for trigger	5P	11664910 040851
<b>Gasket set</b> for trigger	5E	11973801 400853
<b>No</b> <b>Spare parts</b>	<b>For model</b>	
1 Safety valve 4 bar	5P	11617902-SB 710181
1 Safety valve 4 bar	5E	11669611 110592
3 Tire valve	5P / 5E	50137532 040653
4 Pump black assy.	5P	11625301-SB 710150
4 Pump black assy.	5E	11906501 110448
6 Guide with sleeve; 6 pcs per pack	5P	10853203-SB 040066
6 Guide	5E	11639202 110455
6 Sleeve; 6 pcs per pack	5P / 5E	11642701-SB 040059
8 Suction tube L = 435 mm, <b>Minimum order qty. 5 pcs</b>	5P / 5E	10450502 040844
10 Hose 1.5 m G1/2"-G1/2"	5P	11908201 110479
10 Hose 1.5 m G1/2"-G1/2"	5E	11908301 110486
11 Trigger assy.	5P	10966106 110608
11 Trigger assy.	5E	10966107 110615
13 Spray tube 50 cm, curved	5P	11669801 110622
13 Spray tube 50 cm, curved	5E	11669803 110639
15 Fanjet nozzle PP/Viton assy. TPU 8002 PP	5P	11932703 400198
15 Fanjet nozzle PP/EPDM assy. TPU 8002 PP	5E	11947503 400181
16 Carrying belt assy.	5P / 5E	10453601 100739